

TestHorse

Certified IT practice exam authority

Accurate study guides, High passing rate!
Testhorse provides update free of charge in one year!



Exam : **4H0-200**

Title : hyperion Enterprise 5
certification

Version : Demo

1. Click the Exhibit button.

Given the Organizational Structure and the Edit Name screens in the exhibits, which attributes are inherited by, and will be functional for, MICH.ADJ from the parent MICH? (Choose two.)

The screenshot displays the Enterprise Administrator interface. At the top, the title bar reads "Enterprise Administrator - TRNDEMO - [Entity - MICH]". Below the title bar is a menu bar with "File", "Edit", "View", "Navigate", "Task", "Window", and "Help". A navigation bar contains buttons for "ACTUAL", "JAN 00", "CORPORG", "EUROPE", and "GRSALES".

The main area shows an organizational chart with the following structure:

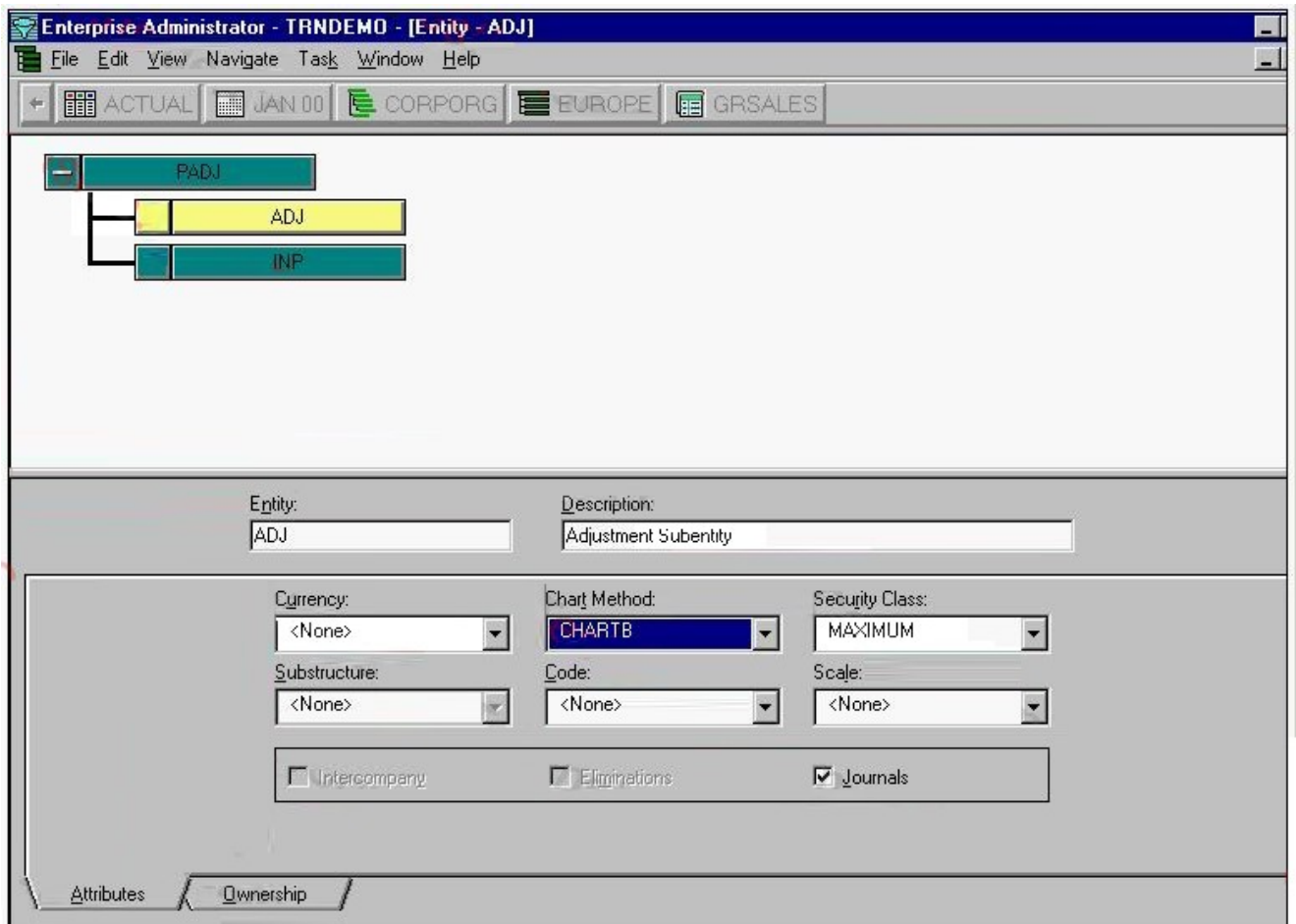
- CORP
 - CORPELIM
 - USREG
 - CALIF
 - MICH (highlighted in yellow)
 - EUROPE
 - UK

Below the chart is the "Edit Name" screen for the "EUROPE" entity. The "Entity:" field contains "EUROPE" and the "Description:" field contains "European Region".

The configuration options are as follows:

- Currency: USD
- Chart Method: CHART
- Security Class: MAXIMUM
- Substructure: <None>
- Code: <None>
- Scale: 3
- Intercompany:
- Eliminations:
- Journals:

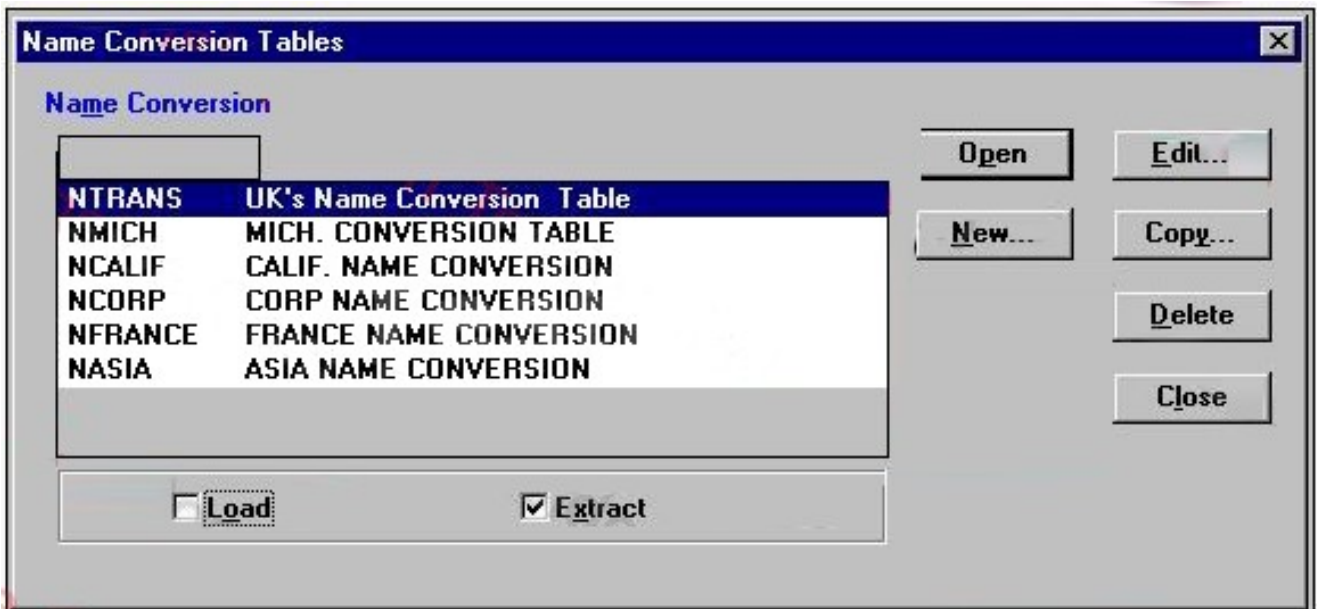
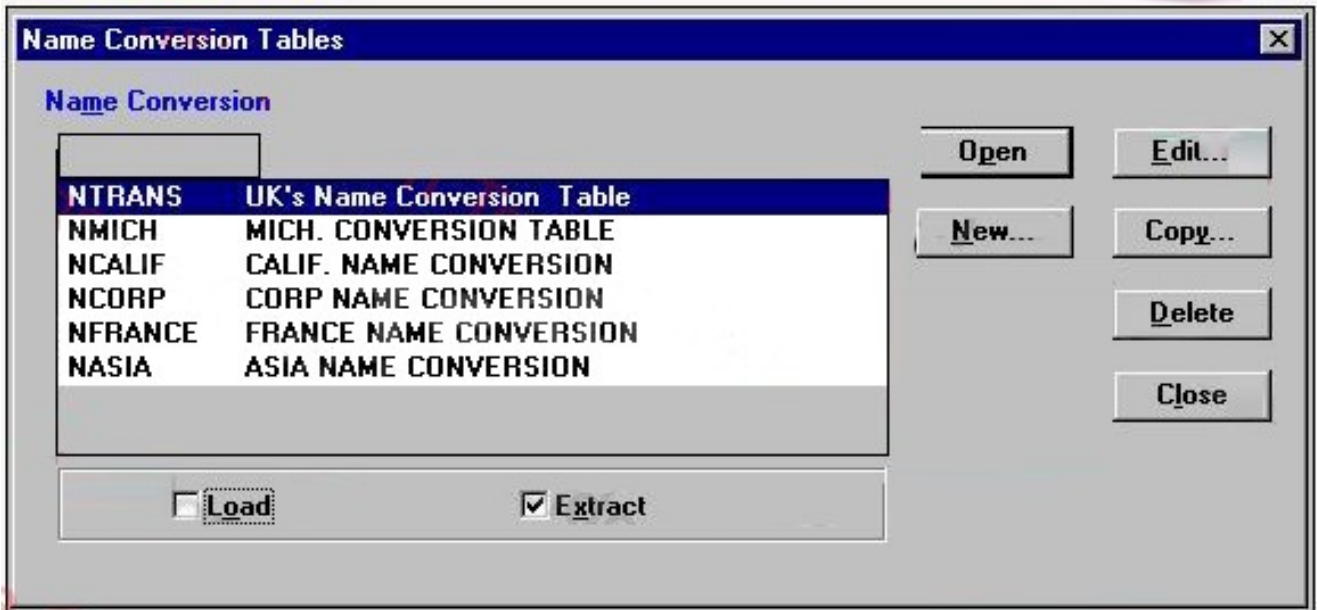
At the bottom of the screen, there are tabs for "Attributes", "Ownership", and "Advanced Options". The Windows taskbar at the very bottom shows the Start button, "Enterprise Administrat...", "untitled - Paint", and "My Computer", along with the system tray showing "NUM" and "3:29 PM".



- A. Scale
- B. Journals
- C. Currency
- D. Chart Logic
- E. Eliminations
- F. Substructures

Answer: AC

2. Click the Exhibit button. Which entity conversion tables shown in the exhibits can be used in BOTH database load and database extract? (Choose three.)



- A. NASIA
- B. NMICH
- C. NCALIF
- D. NCORP
- E. NTRANS
- F. N_TEXAS
- G. NFRANCE
- H. NGERMANY

Answer: AEG

3. Given the information from the Shares view of C shown below:

	<u>Shares</u>	<u>%Own</u>	<u>%Ctrl</u>	<u>Voting</u>
Total Outstanding	1000	100.00	1000	100.00
Total Owned	800	80.00	700	70.00
A.	800	80.00	700	70.00
B.	???			

What is the maximum number of shares of C, owned by B, that can be entered?

- A. 200
- B. 300
- C. 1000
- D. any number

Answer: A

4. Click the Exhibit button.

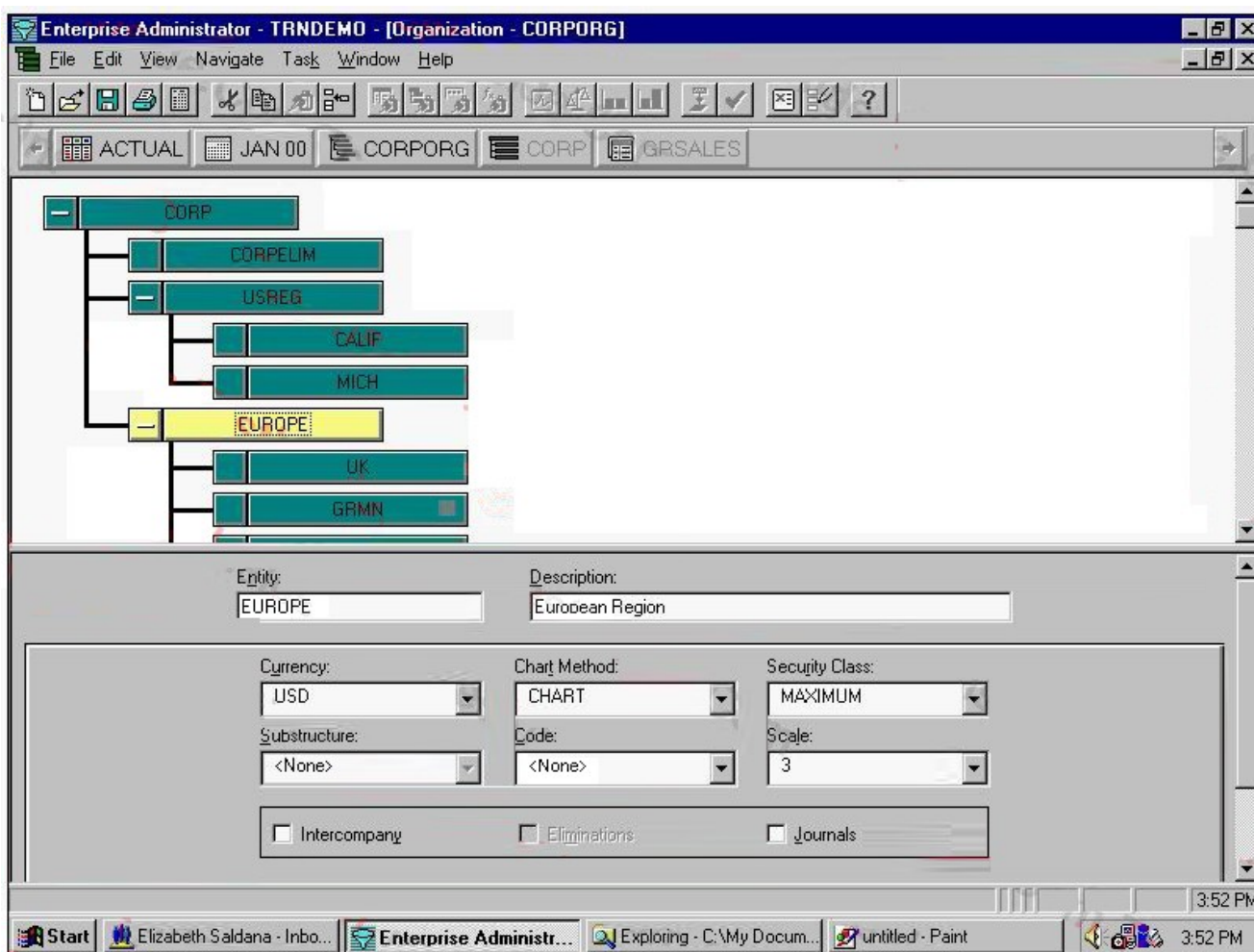
Given the Organization Structure and the Edit Name screen in the exhibit, where would the intercompany elimination occur between entities UK and GRMN?

The screenshot shows the 'Enterprise Administrator - TANDEMO - [Organization - CORPORG]' interface. The top part displays an organization chart with a hierarchy: CORP (parent), CORPELIM, USREG, and EUROPE (children of CORP). EUROPE has three children: UK, GRMN, and FRANCE. The bottom part shows the 'Edit Name' screen for the 'EUROPE' entity. The 'Entity' field is 'EUROPE' and the 'Description' is 'European Region'. Below this are several dropdown menus: Currency (USD), Chart Method (CHART), Security Class (MAXIMUM), Substructure (<None>), Code (<None>), and Scale (3). At the bottom of the screen, there are three checkboxes: 'Intercompany', 'Eliminations', and 'Journals', all of which are currently unchecked.

- A. UK
- B. CORP
- C. EUROPE
- D. CORPELIM

Answer: C

5. Click the Exhibit button. Given the Organization Structure and the Edit Name screen in the exhibit, in Enterprise SE which is not a valid attribute for the name/entity EUROPE? (Choose one.)

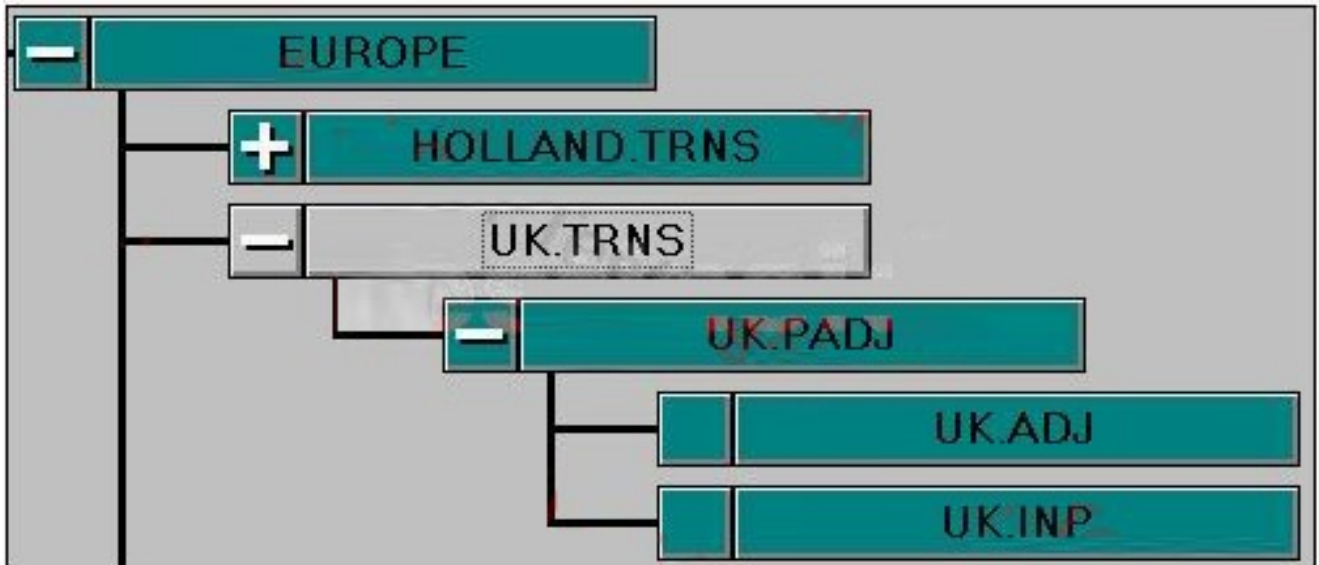


- A. Scale
- B. Code
- C. Journals
- D. Eliminations
- E. Intercompany

Answer: D

6. Click on the Exhibit button. Based on the Organization Structure in the exhibit, the value of

GRSALES.AUTO for UK.INP is 200,000 BP and for UK.ADJ it is (?0,000) BP. The AVGRATE for British pounds is 2.000 (multiply) and the AVGRATE for USD is 1.000 (divide). What is the value of UK.TRNS in USD?



- A. 95,000
- B. 190,000
- C. 380,000
- D. 420,000

Answer: C

7. In Enterprise, the organization structure's top entity is CORP. There are two dependents for CORP; USREG and EUROPE. There are three dependents for USREG; MICH, OHIO and TEXAS. There are four dependents for EUROPE; HOLLAND, GERMANY, UK and IRELAND. All basic entities have the same substructure PADJ attached. The top entity for PADJ substructure is PADJ with ADJ and INP as dependents. You add three more dependents to the USREG with the PADJ substructure attached to each of them.

What is the total number of entities and subentities?

- A. 13
- B. 24
- C. 27
- D. 33
- E. 43

Answer: D

8. Click the Exhibit button. Given the Data Entry screens in the exhibits, CALIF and MICH are the only subsidiaries of USREG. After consolidation, what will be the value for GRSALES at USREG?

<input type="checkbox"/>	GRSALES	8
<input type="checkbox"/>	TRUCKS	8
<input type="checkbox"/>	FLEET	
<input type="checkbox"/>	SPECIAL	
<input type="checkbox"/>	PARTS	
<input type="checkbox"/>	OFFROAD	
Monthly View: CTD Scale:6		

<input type="checkbox"/>	GRSALES	15,000
<input type="checkbox"/>	TRUCKS	15,000
<input type="checkbox"/>	FLEET	
<input type="checkbox"/>	SPECIAL	
<input type="checkbox"/>	PARTS	
<input type="checkbox"/>	OFFROAD	
Monthly View: CTD Scale:3		

- A. 15,008
- B. 23,000
- C. 15,800,000
- D. 23,000,000

Answer: D

9. Where can entity lists be used in Enterprise? (Choose three.)

- A. Books
- B. Reports
- C. Journals
- D. Database
- E. Data Entry

F. Consolidation

Answer: ABD

10. Click the Exhibit button.

Given the Data Entry screen in the exhibit, the application currency is USD; the entered rate for currency ES (used for PORTUGAL) is divided and the currency for HQ is USD. All entities are in the same scale and all Consolidation Detail options are active.

What will be the result in the translated Consolidation Detail for consolidated and currency-converted account CASH (translated using EOMRATE) for HQ in period JAN 98?

ACTUAL		JAN 98		NEWCORP		PORTUGAL	
Account		JAN 98					
-	GLOBAL	DATA					
+	AVGRATE						
-	EOMRATE						
	USD						1 000
	BP						2 000
	FF						
	DM						
	GD						4 000
	LR						
	PT						
	BF						
	ES						5 000
+	HISTRATE						
+	NONFINAN	NO DATA					
+	INCOME	NO DATA					
-	ASSETS	DATA					
	CASH						2,000

- A. 400
- B. 2000
- C. 10000

D. Nothing appears in the translated DSM.

Answer: A

11. What is a correct currency method for Asset, Liability, and Balance?

A. Balance

B. Local Currency

C. Periodic Value

D. Value at Exchange Rate

Answer: D

12. In Enterprise, what appears in the file if you do a system extract with all options activated? (Choose three)

A. Journals

B. Report labels

C. Security class information

D. Logic/Formula statements

E. Database Load and Extract Formats

Answer: BCE

13. What happens if you activate the Account for Lock and do not have a value of zero in this account for a particular entity in the first period? (Choose two.)

A. You cannot put a journal lock on the entity.

B. You cannot lock the entity in the current period.

C. You cannot lock any following period for the entity.

D. You cannot consolidate the period following the one where the value in the account for lock is not zero.

Answer: BC

14. What is necessary when setting up automatic intercompany eliminations?

A. Flag each parent entity as Elimination

B. Flag each parent, and all immediate dependents

C. Activate the INTERCO method for the current category

D. Flag the entities which will be valid for intercompany transactions.

E. Do not flag any entity, intercompany is managed via tables in the Account module

Answer: D

15. Click the Exhibit button.

Given the ASCII System Load File in the exhibit, which entities are active for period six?

```

L2-2b1 - Notepad
File Edit Search Help
[ENTITY]
CORP          ?Corporate Headquarters          ?MAXIMUM          ?
USREG         ?U.S. Region                       ?MAXIMUM          ?
EUROPE        ?European Region                   ?MAXIMUM          ?
MICH          ?Detroit Motor Cars                ?US_INPUT         ?PADJ
CALIF         ?San Jose Electric Motors          ?US_INPUT         ?ADJUST
FRANCE        ?Paris Utility Vehicles             ?EURO_INPUT       ?ADJUST
GRMN          ?Frankfurt Motor Works             ?EURO_INPUT       ?ADJUST
UK            ?British Sports Cars               ?EURO_INPUT       ?ADJUST
TEXAS         ?Dallas Trucks, Inc.               ?MAXIMUM          ?ADJUST
MARKET        ?Market Consolidation              ?MAXIMUM          ?
CONS          ?Consumer Distribution              ?MAXIMUM          ?
COMM          ?Commercial Distribution            ?MAXIMUM          ?
CORPELIM      ?CORPELIM                           ?MAXIMUM          ?

[OWNERSHIP=ACTUAL]
1?12?CORP     ?USREG                               ?ADD?CONSOL       ?TRAN
1?12?CORP     ?EUROPE                              ?ADD?CONSOL       ?TRAN
1?12?USREG    ?CALIF                               ?ADD?CONSOL       ?TRAN
1?12?USREG    ?MICH                                ?ADD?CONSOL       ?TRAN
6?6?EUROPE    ?GRMN                                ?ADD?CONSOL       ?TRAN
6?6?EUROPE    ?UK                                  ?ADD?CONSOL       ?TRAN
1?5?EUROPE    ?UK                                  ?ADD?CONSOL       ?TRAN
7?12?EUROPE   ?UK                                  ?ADD?CONSOL       ?TRAN
1?5?CORP      ?CORPELIM                            ?ADD?CONSOL       ?TRAN
7?12?CORP     ?CORPELIM                            ?ADD?CONSOL       ?TRAN
1?5?EUROPE    ?GRMN                                ?ADD?CONSOL       ?TRAN
7?12?EUROPE   ?GRMN                                ?ADD?CONSOL       ?TRAN
6?6?EUROPE    ?FRANCE                              ?ADD?CONSOL       ?TRAN
    
```

- A. Spain
- B. France
- C. Holland
- D. Belgium
- E. Portugal

Answer: B

16. Click the Exhibit button.

What could cause the error message in the exhibit? (Choose two)



- A. The application.INI file has the wrong App_Path= setting.
- B. The application was deleted or moved to another location.
- C. The HYPENT.INI file has the wrong AppPath= setting.
- D. The HYPENT.INI file has the wrong UserPath= setting.

Answer: BC

17. Which two options should be considered when converting an Enterprise application from prior edition releases to Enterprise 5? (Choose two.)

- A. Change the HYPENT.INI to say APP_DATA_R5=@APP/DATA from APP_DATA_R43=@APP/DATA
- B. Take a system extract of the existing application, convert the ASCII file and build a new application
- C. Use the conversion utilities available to convert the application to an Enterprise 5 application
- D. Move the application data, logic, reports, and books files into the Enterprise 5 directory in a new folder and add the application

Answer: BC

18. Which three statements are true about subaccounts in Enterprise? (Choose three.)

- A. Intercompany subaccount tables can be multilevel.
- B. Subtotaling is inherent in a multilevel subaccount structure.
- C. The Chart of Account design can only support two levels of subaccounts.
- D. Subtotaling of subaccounts within a subaccount table is possible.

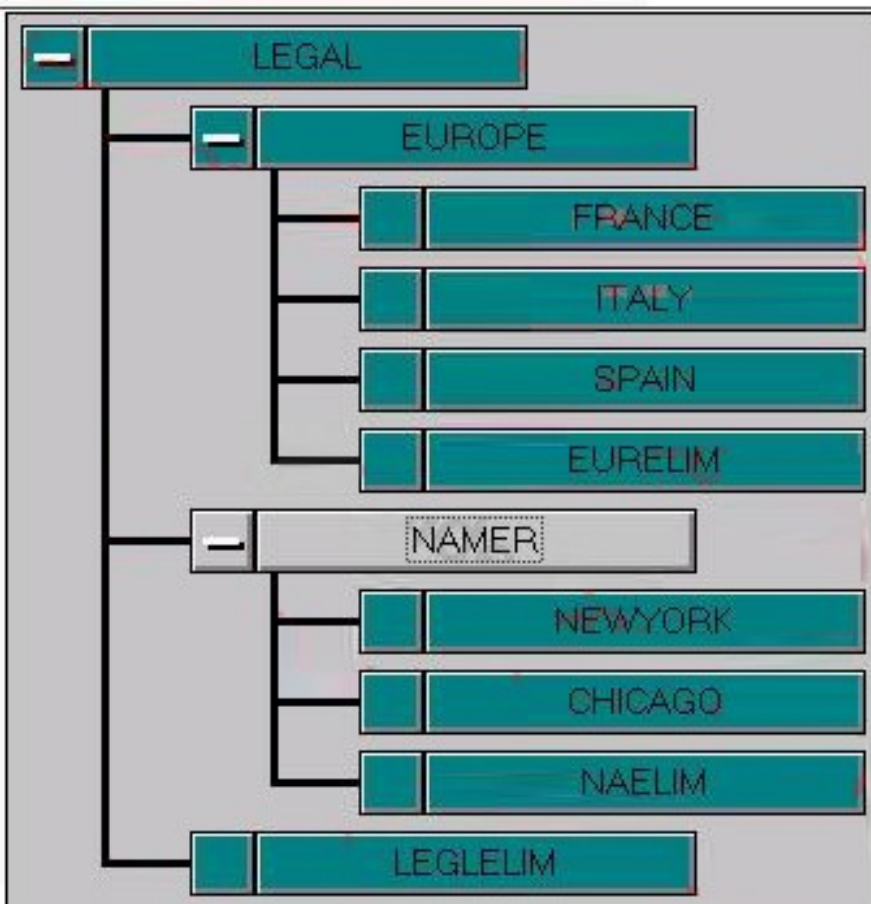
Answer: ABC

19. Click the Exhibit button.

NAMER has a consolidated total IC_REC of \$300 of which \$100 is NEWYORK's IC_REC with ITALY. ITALY has recorded an IC_PAY with NEWYORK of \$120. ACCEXP (Accrued Expenses) has no other balance except for these intercompany transactions. Use the Organization Structure and intercompany matching table in the exhibits.

In which elimination entity would the elimination occur?

Plug Account: ACCEXP	
Account 1	Account 2
IC_REC	IC_PAY



- A. NAELIM
- B. EURELIM
- C. LEGLELIM
- D. NAELIM and EURELIM
- E. NAELIM and LEGLELIM
- F. LEGLELIM and EURELIM

Answer: C

20. The subaccount table PRODUCTS contains three subaccounts. Each has the second level table MARKETS containing four subaccounts attached. Accounts SALES and COGS both use the table PRODUCTS, with the Attach First Level Only flag selected for account COGS (no market detail required for it).

How many accounts have been created in the application?

- A. 17
- B. 20
- C. 26
- D. 32

Answer: B

21. Click the Exhibit button.

Given the information in the exhibit, which accounts have a correct CURRENCY attribute? (Choose three.)

<u>Account Label</u>	<u>Account Description</u>	<u>Account Type</u>	<u>CONSOL Attribute</u>	<u>SCALED Attribute</u>	<u>CURRENCY Attribute</u>
Salary	Salary Expense	Expense	x	x	x
LTDebt	Long Term Debt	Liability		x	x
DaysInMonth	Days in Month	Balance	x	x	
Headcount	Headcount	Balance	x	x	x
TaxRate	Income Tax Rate	Balance	x	x	x

- A. Salary
- B. LTDebt
- C. TaxRate
- D. Headcount
- E. DaysinMonth

Answer: ABE

22. What is the effect of moving an account from one group to another?

- A. The account's data is cleared.
- B. The account's attributes are unchanged.
- C. The account takes on the destination group's attributes.
- D. A consolidation must be completed before a new data load.

Answer: B

23. The Reverse Sign attribute is only applicable _____ .

- A. to one entry per subaccount
- B. to expense type subaccounts
- C. to subaccounts within a subaccount table
- D. at the lowest level of a multilevel subaccount table

Answer: C

24. It has been decided to segment sales by product line. The following maintenance procedures have already been completed:

- 1.A new subaccount table called PROD has been created with three entries.
- 2.The subaccount table has been attached to the existing Sales account.
- 3.Formulas has been checked (recompiled).

Which additional procedures should you perform? (Choose three.)

- A. Review the Sales reports
- B. Load the data for sales by product
- C. Review the account translation tables
- D. Rewrite the logic for sub-totaling the Sales account
- E. Set the consolidation, scaled and currency attributes on the PROD subaccount table

Answer: ABC

25. In Enterprise, what happens when you activate and enter an account code with the label of XYZ in the application? (Choose two)

- A. You can assign XYZ to a major account and filter on these major accounts in Account Lists.
- B. You can assign XYZ to a first or second-level subaccount and filter on these subaccounts in Account Lists.
- C. You can apply XYZ to reports in the application by activating the Use Selected Code for Reports check box.
- D. You can apply XYZ to entities in the application.

Answer: AB

26. What are two characteristics of an Account Extract Conversion Table? (Choose two.)

- A. The ability to reverse sign on select accounts.

- B. The ability to use substitution strings in labels.
- C. The one-to-many relationship between Enterprise accounts and an external source.
- D. The many-to-one relationship between Enterprise accounts and an external source.

Answer: AD

27. What happens when there is a change to an existing account group attribute?

- A. The existing account group and all of its accounts will reflect this change.
- B. The existing account group and all of its new accounts will reflect this change.
- C. All newly created account groups and all new accounts will reflect this change.
- D. All newly created account groups and only their new accounts will reflect this change.

Answer: B

28. Which two statements are true when performing a year-end rollover with Organization by Period activated? (Choose two.)

- A. The source year will not increment.
- B. The source category organization is deleted.
- C. Only data is rolled to the Destination category.
- D. Both organization and data are rolled to Destination category.

Answer: BD

29. Given the default .PER files loaded with Enterprise, which statements are true about the frequency and start period of the category CurrentYr, if it has a prior category of PriorYr? (Choose two.)

- A. If frequency is set to Weekly and start period is set to Week1, CurrentYr opening balances will be drawn from Week52 of PriorYr, assuming LOAD.PER was selected when creating the application.
- B. If frequency is set to Weekly and start period is set to Week1, CurrentYr opening balances will be drawn from Week52 of PriorYr, assuming LOADWK.PER was selected when creating the application.
- C. If frequency is set to Monthly and start period is set to March, CurrentYr opening balances will be drawn from February of PriorYr, assuming LOAD.PER was selected when creating the application.
- D. If frequency is set to Monthly and start period is set to March, CurrentYr opening balances will be drawn from February of PriorYr, assuming LOADMAR.PER was selected when creating the application.

Answer: AD

30. Click the Exhibit button.

Given the information in the table in the exhibit, and assuming March data has NOT been loaded, what is

the value for March Sales?

<u>Account Label</u>	<u>Description</u>	<u>Type</u>	Jan. <u>Periodic</u>	Jan. <u>Year-to-Date</u>	Feb. <u>Periodic</u>	Feb. <u>Year-to-Date</u>
SALES	Gross Sales	Income	500	500	400	900
OVERHEAD	Overhead Expense	Expense	200	200		
CASH	Cash	Asset	50	50		100
Assumptions:	Data is Loaded on a YTD Basis					
	Missing Data as Zero is set to Year-to-Date					
	Category View is Periodic					

- A. Periodic value is -900.
- B. Periodic value is 0.
- C. Category-to-Date value is -900.
- D. Category-to-Date value is 900.

Answer: A