

# TestHorse

Certified IT practice exam authority

---

Accurate study guides, High passing rate!  
Testhorse provides update free of charge in one year!



**Exam** : **E20-537**

**Title** : Networked Storage-ns exam  
for Storage adminsitators

**Version** : Demo

1. What is the fully functional state of a Virtual Data Mover?

- A. loaded
- B. mounted
- C. PermUnloaded
- D. TempUnloaded

**Answer: A**

2. What is a recommended use for SnapSure?

- A. as a Disaster Recovery solution
- B. for production files system mirroring
- C. as a source for incremental backups
- D. for full production file system restores when the PFS is corrupted

**Answer: C**

3. Which command is used to create a new user on the Data Mover for FTP?

- A. nas\_user
- B. nas\_newuser
- C. server\_user
- D. server\_ftpuser

**Answer: C**

4. Which procedure configures Windows users' home directories on a Celerra CIFS server?

A. Configure the homedir file with the path for each domain user

Enable the home directory option on the Data Mover

Export the appropriate path as the share name HOME

Edit the profile of each users account.

B. Configure the homedir file with the path for each domain user

Enable the home directory option on the Data Mover

Create a directory in the correct location for each user

Edit the profile of each existing user's account.

C. Configure the homedir file with the path for each domain

Export the path as the share name HOME

Enable the home directory option on the Data Mover

Edit the profile of each user account using the %user% variable

D. Configure the homedir file with the path for each domain

Enable the home directory option on the Data Mover

Create a directory in the correct location for each user

Edit the profile of each user account using the %user% variable

**Answer: B**

5. Which protocols are available when configuring DNS on a Data Mover?

- A. TCP and IP
- B. UDP and IP
- C. TCP and UDP
- D. UDP and ICMP

**Answer: C**

6. With a Celerra, what is a file system creation requirement?

- A. a file system must reside on a non-root slice volume that is not in use
- B. a file system must reside on a non-root meta volume that is in use
- C. the slice volume must be at least 2 MB to accommodate a file system
- D. the meta volume must be at least 2 MB to accommodate a file system

**Answer: D**

7. What is stored in a Virtual Data Mover's root file system?

- A. NTP
- B. Local Groups
- C. Usermapper configuration
- D. FTP root directory

**Answer: B**

8. What is the default authentication method used in Windows Active Directory, Native Mode?

- A. LM
- B. NIS
- C. NTLM
- D. Kerberos

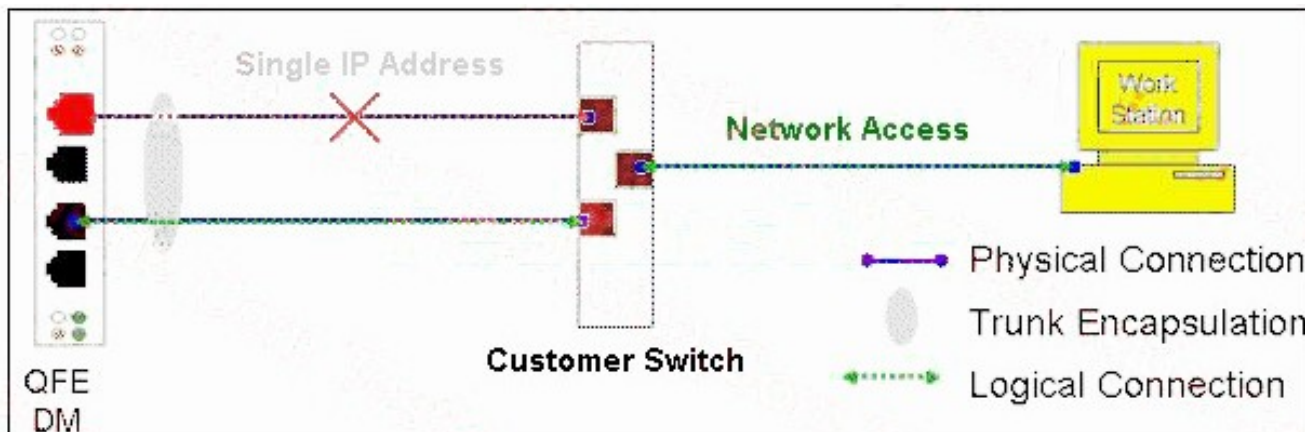
**Answer: D**

9. Which assigns the Fibre Channel WWN?

- A. Name server
- B. Operating system
- C. System Administrator
- D. Hardware manufacturer

**Answer: D**

10. Click the Exhibit button.



What will happen if one of the trunking network paths fails (indicated by the X)?

- A. I/O will pass on both paths
- B. The Data Mover will failover
- C. All I/O will pass on active path only
- D. I/O will wait until the failed path becomes available

**Answer: C**

11. Which two [2] methods stop all ICMP traffic to a network?

- A. Deny ICMP at a router
- B. Block ICMP at a switch
- C. Block the port on a firewall
- D. Enable VLAN ports at the switch

**Answer: AC**

12. Which storage template is available in a NS Integrated system that uses ATA physical drives?

- A. CX\_Standard\_Raid\_5
- B. CX\_All\_4Plus1\_Raid\_5
- C. ATA\_CX\_Standard\_Raid\_1
- D. ATA\_RAID3\_HS\_4+1\_8+1

**Answer: D**

13. What is one characteristic of internal usermapper?

- A. runs on Control Station
- B. no separate installation required
- C. coexist with External usermapper is recommended
- D. requires post DART code installation on the Control Station from the Celerra Application disk

**Answer: B**

14. What is the default type of a Celerra file system?

- A. ufs

- B. udfs
- C. mgfs
- D. rawfs

**Answer: B**

15. Celerra quotas are turned off. How does that affect the existing user and group quota information?

- A. it will be lost
- B. it is maintained
- C. it will still be active
- D. it becomes unavailable

**Answer: B**

16. When the getreason command is used, which status identifies that a Data Mover needs to be replaced?

- A. contacted
- B. connected
- C. dos booted
- D. powered off

**Answer: D**

17. What is used for centralized user and group management in a UNIX environment?

- A. NIS
- B. UFS
- C. UDP
- D. NTLM

**Answer: A**

18. Which solution does Celerra Replicator provide?

- A. asynchronous file system replication over an iSCSI link
- B. synchronous file system replication over an iSCSI link
- C. asynchronous file system replication over an IP link
- D. synchronous file system replication over an IP link

**Answer: C**

19. What is one replication choice available with Celerra Replicator?

- A. remote
- B. checkpoint
- C. synchronous
- D. semi-synchronous

**Answer: A**

20. What is the external RJ45 ported network device name of an NS system Data Mover?

- A. eth
- B. ace
- C. ana
- D. cge

**Answer: D**